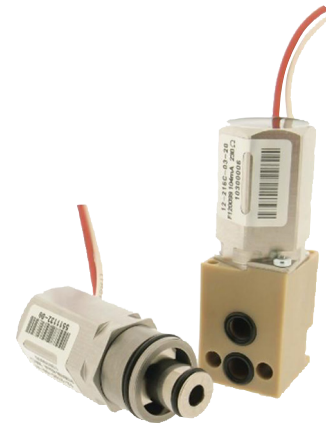


- > 2/2 NC proportional valve
- > High precision miniature proportional valve
- > Flat plunger and spring for frictionless operation
- > Highly repeatable with over 100 million cycles
- > Accurate control of flows ranging from a few ml/min to 80 l/min



Technical features

Medium:

Air, oxygen or neutral gases

Orifices:

Orifice sizes 0.8 to 2.0 mm (0.03" to 0.078")

Filtration:

A filtration of 10 micrometer is required before the inlet for valves with an orifice size comprised between 0,8 to 2,0 mm

Operation:

Direct acting 2-way valve
Normally closed

Hysteresis:

Typical: <10% of full scale current

Cleanliness:

Oxygen compatible

Operating pressure:

0 ... 12 bar (0 ... 174 psi)

Mounting:

Cartridge

Size:

16 mm

Life expectancy:

≥ 100 Mio. cycles

Internal & external leakage:

< 10⁻² mbar l/s (≈0.6 ml/min) at pmax

Protection class (acc. to EN60529):

IP51

Weight:

< 50 g (0.11 lbs)

Ambient/media temperature:

+10 ... +50 °C (+50 ... +122°F)

Materials:

Body: Stainless steel only or stainless steel/brass
PEEK (only when mounted on sub-based)
Seal: FPM, NBR, EPDM

Manifolds

Contact your local fluid control specialist for information about our manifolding capabilities which include laminated polymer manifolds.

Electrical details

Voltage/frequency:	See technical data -standard coils
Power consumption	See technical data -standard coils
Insulation class:	F (155 °C)
Electrical insulation:	1000 V a.c.
Protection degree:	IP 51
Duty cycle:	100%
Electrical connection:	300 mm A WG24 flying leads

Following options on request

Other orifice size available
Specific coils
Wider temperature range
OEM specification
Lower leak rate
Manifold mount

Technical data - Standard models

Symbol	Orifice (mm)	Operating pressure (bar)	kv factor *1)	Current (mA)	Resistance (Ω)	Body Material	Seal Material	Model
	0,8	0 ... 10	0.33	211	57	Stainless Steel	FPM	12-216C-01-41+D3WFIL+BED
	1,2	0 ... 8	0.55	211	57	Stainless Steel	FPM	12-216C-02-41+D3WFIL+BED
	1,6	0 ... 5	0.8	211	57	Stainless Steel	FPM	12-216C-03-41+D3WFIL+BED
	2,0	0 ... 4	1	211	57	Stainless Steel	FPM	12-216C-04-41+D3WFIL+BED

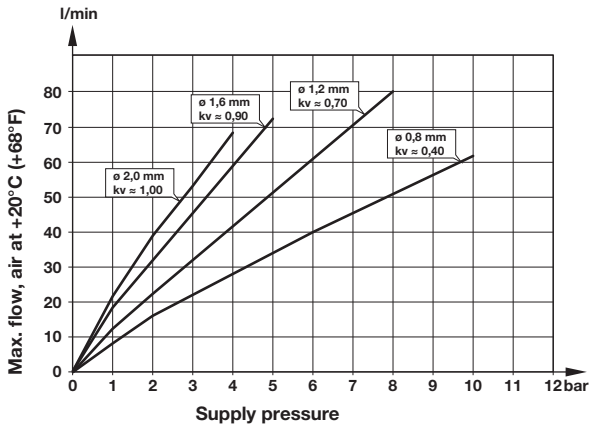
*1) Cv = 0.07 kv

Technical data - Standard coils

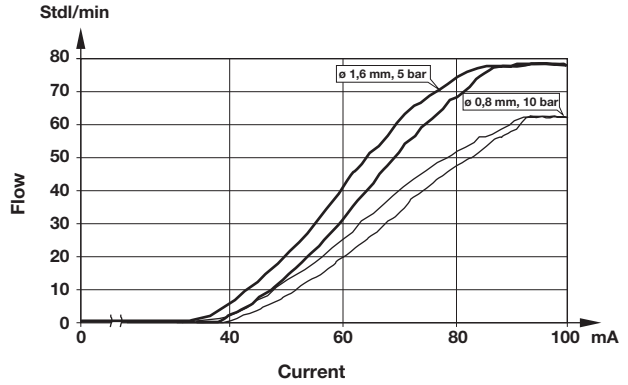
Valve orifice (mm)	Coil resistance at 20°C (+68°F) ± 3% [R20] (Ω)	Current for maximum flow [nominal] (mA)	Voltage +20°C (+68°F) [nominal] (V)	Power +20°C (+68°F) [nominal] (W)	Max. required voltage for max flow (V) *1)
0,8 ... 2,0	14,4	417	6	2,5	9
	57	211	12		18
	130	138	18		27

*1) Please refer to instruction K12M.0001 for recommendation on drive signals

Additional information
Typical flows vs. supply pressure
Air, 20°C, without back pressure



Hysteresis
Typical curves for orifice sizes 0,8 mm and 1,6 mm
Air, 20°C, without back pressure



Note:
Flow vs. supply pressure curves are for informative purposes only and shall be used only for the pre-selection of the orifice size. Preliminary testing is recommended to take into account all application specific requirements and to select the most adequate orifice. For further information contact your local fluidic specialist.

Accessories

Manifold for cartridge version with G1/4 ports in aluminium



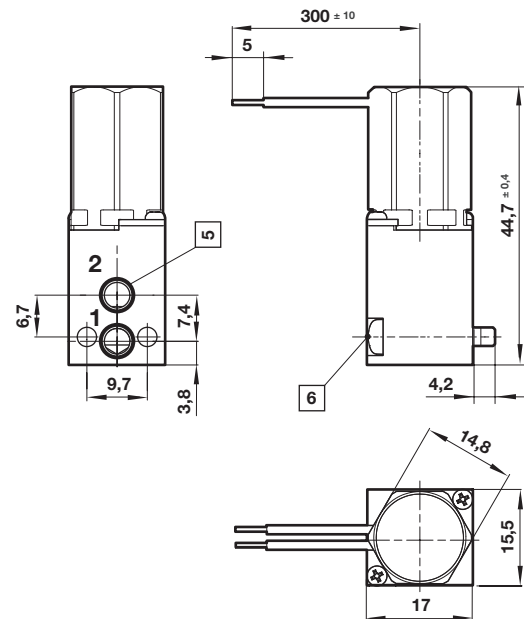
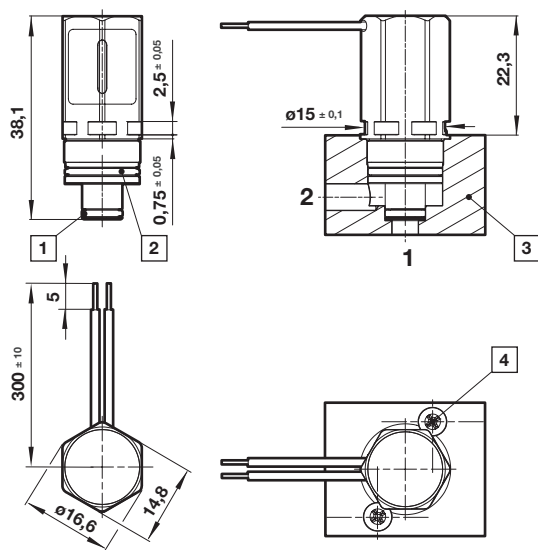
Page 3

S120.0152

FLATPROP cartridge mounting

FLATPROP with manifold on request

Dimensions in mm
Projection/First angle



- 1 'O' ring Ø 6 x 1
- 2 'O' ring Ø 12 x 1
- 3 Manifold, not in scope of delivery
- 4 Screws Torx M 3 x 6

- 5 'O' ring Ø 4 x 1 (2x)
- 6 Screws Torx M3 x 18 (2x)

