



Generalities

Minisol and Intersol coils are mounted on an operator with a standard nut in order to constitute a valve.

The coil and the magnet circuit are covered with synthetic material which can withstand high temperature, humidity and various mechanic solicitations.

Notes

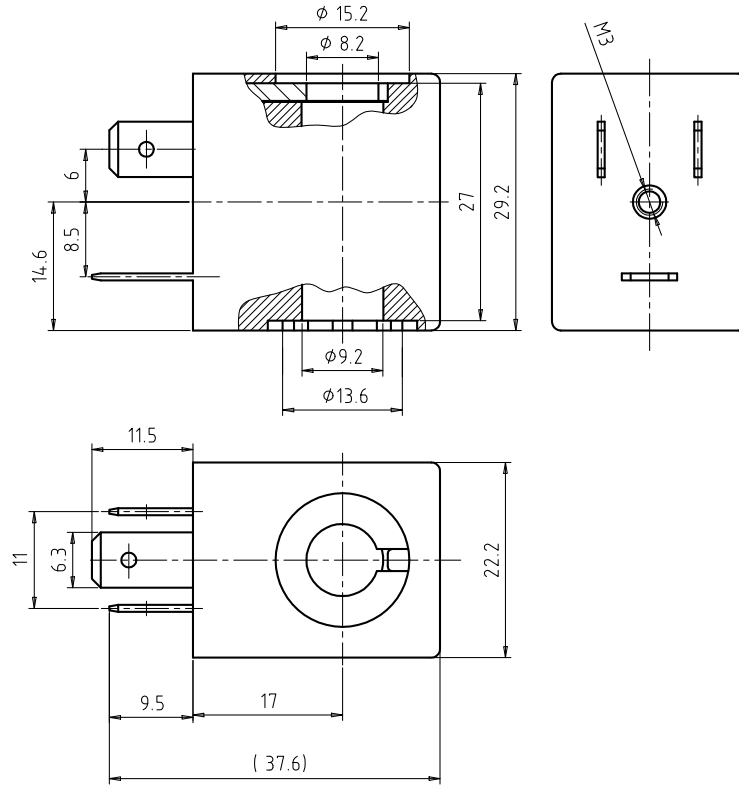
1. Custom voltage upon request.
2. The choice of a special coil can lead to some valve specification changes. Please contact us beforehand.
3. AC coils must be at least mounted on a complete operator before being powered.

Technical data

Voltage	: 50Hz - 60Hz - DC
Power	: see table
Voltage tolerance	: -10%...+15%
Electrical connection	: DIN 43650 spades 2-poles and ground
Connector	: adjustable, 2x180° position with one central M3 screw
Coil position	: 360° in any position
Coil fixing	: M8 x 0,75 mm nut
Wire insulation class	: F 155
Protection degree	: IP 65 - DIN 40050 (with mounted connector)
Duty cycle	: 100% ED
Working temperature	: -20°C to +120°C
Max. coil temperature at 100% ED	5W : 90°C at an ambient temps. of 20°C 8.5W : 110°C at an ambient temps. of 20°C
Coil weight	: around 50g

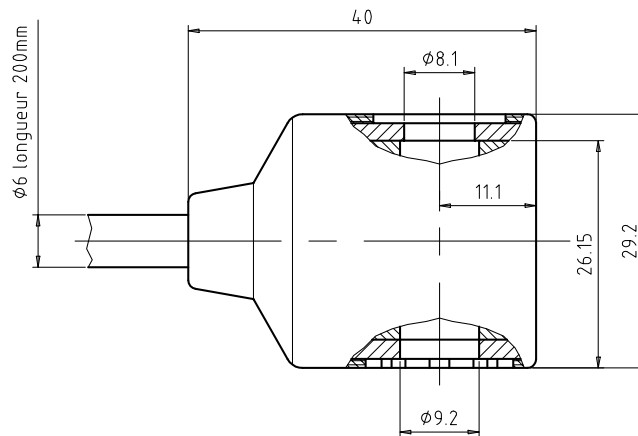
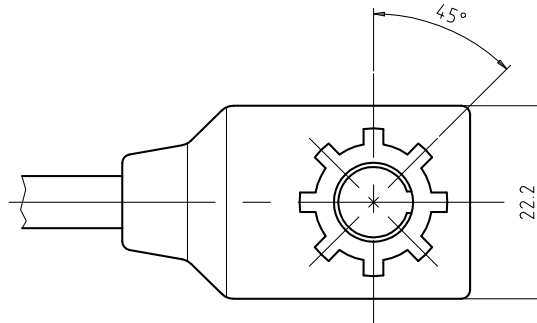
Order number

FREQUENCIE	VOLTAGE						POWER	
	12	24	48	110	220	240	AC	DC
50 Hz	900	901	902	903	904	915	8.5 W	
60Hz	906	907		908	909		8.5 W	
DC	963	975						5.0 W
DC	911	912	928	929	930			8.5 W



Coil with spades

K092.1026



Coil with wire

K092.1027