

Generalities

Minisol and Intersol coils are mounted on an operator with a standard nut in order to constitute a valve.

The coil and the magnet circuit are covered with synthetic material which can withstand high temperature, humidity and various mechanic solicitations.

Notes

1. Custom voltage upon request.
2. The choice of a special coil can lead to some valve specification changes. Please contact us beforehand.
3. AC coils must be at least mounted on a complete operator before being powered.

Technical data

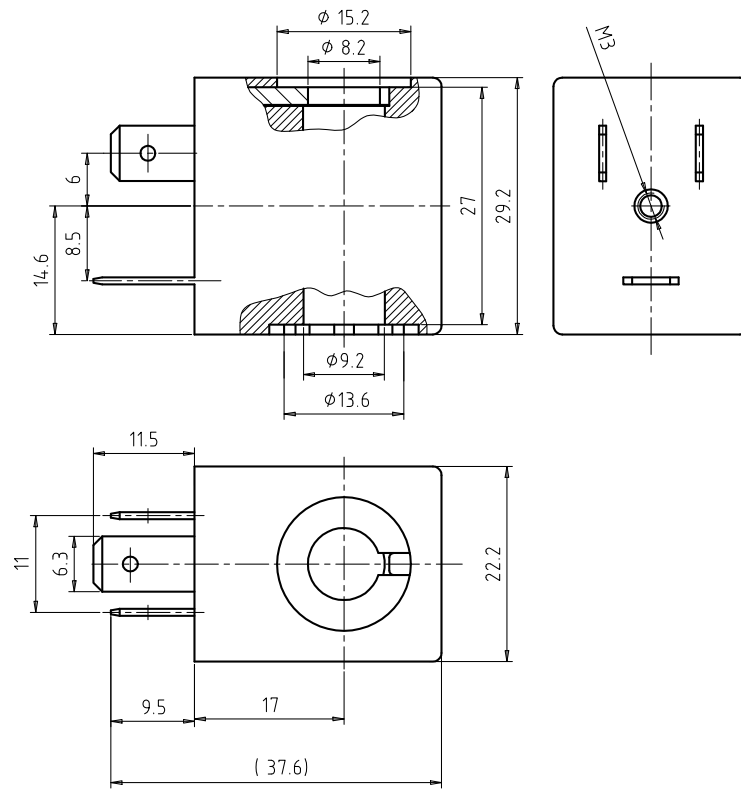
Voltage	: 50Hz - 60Hz - DC
Power	: see table
Voltage tolerance	: -10%...+15%
Electrical connection	: DIN 43650 spades 2-poles and ground
Connector	: adjustable, 2x180° position with one central M3 screw
Coil position	: 360° in any position
Coil fixing	: M8 x 0,75 mm nut
Wire insulation class	: F 155
Protection degree	: IP 65 - DIN 40050 (with mounted connector)
Duty cycle	: 100% ED
Workingtemperature	: -20°C to +120°C
Max. coil temperature at 100% ED	5W : 70°C at an ambient temps. of 20°C 2W : 45°C at an ambient temps. of 20°C
Coil weight	: around 50g

Order number - Standard power

FREQUENCIE	VOLTAGE						POWER	
	6	12	24	48	110	220	AC	DC
50 Hz		947	986	976	984	983	5.0 W	
60Hz			941	819	813	808	4.0 W	
DC	825	999	926	956	830			3.8 W

Order number - Low power

FREQUENCIE	VOLTAGE						POWER	
	6	12	24	48	110	220	AC	DC
50 Hz		962	965	968	971	974	2.5 W	
DC	961	964	967	970	973			2.0 W



Coil with spades

K092.N026