

- > 2/2, 3/2;
Manifold mounting
- > Compact design
- > Easy integration
- > Long life - in excess of
25 Mio. cycles

- > Up to 2000 cycles per
minute
- > Up to 1,8 mm orifice



Technical features

Medium:

Air, neutral gases and liquids

Operation:

Direct acting 2-way and 3-way valves, normally closed and normally opened, universal, with manual override

Operating pressure:

0 ... 15 bar

Flow (kv factor):

0,6 ... 1,0 (Cv: 0.04 ... 0.06)

Mounting:

Flange mount

Orifice:

1,2 1,8 mm (0.05 ... 0.07")

Response time:

8 ... 15 ms

Response time measured according to ISO 12238

Life time:

25 million cycles

Ambient/media temperature:

-15 ... +50 °C (+5 ... +122°F)

Air supply must be dry enough to avoid ice formation at temperatures below +2 °C (+35°F).

Materials:

Body: brass, PA

Seal: NBR, FPM, EDPM

Electrical details

Voltage tolerances:	-10 % ... +15 %
Duty cycle	100% ED
Insulation class:	F (155 °C)
Protection class according to EN 60529:	IP 65 with connector
Electrical connection	Interface according to DIN EN 175301-803, Form B
Coil orientation	Rotable 360°
Coil mounting	M8 x 0.75 mm nut

Following options on request

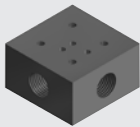


Pneumatic configuration
Voltage
Operating pressure (also vacuum)
Materials
Power consumption
Electrical connections (type of connector & coil orientation)

Technical data - standard models

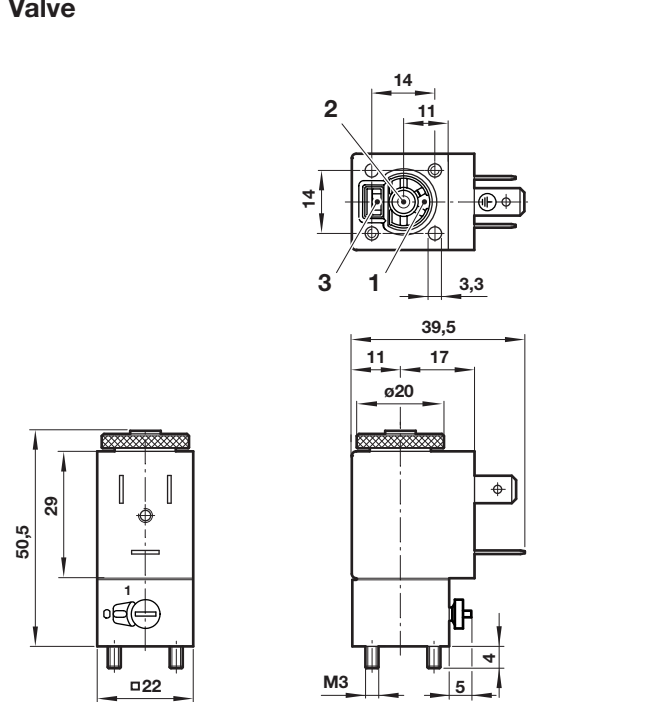
Symbol	Function	Orifice (mm)	Operating pressure (bar)	(psi)	kv *1) (l/min)	Voltage (V d.c.)	Power consumption (W)	Material Body	Seal	Model
	2/2 NC	1,2	0 ... 15	0 ... 217	0,60	24	3,8	PA	NBR	09-2111-02-30+AQF
	2/2 NC	1,6	0 ... 10	0 ... 145	0,80	24	3,8	PA	NBR	09-2111-03-30+AQF
	2/2 NC	1,8	0 ... 8	0 ... 116	1,00	24	3,8	PA	NBR	09-2111-01830+AQF
	2/2 NO	1,8	0 ... 12	0 ... 174	0,75	24	3,8	PA	NBR	09-2211-01830+AQF
	3/2 NC	1,2	0 ... 15	0 ... 217	0,60	24	3,8	PA	NBR	09-3111-02-30+AQF
	3/2 NC	1,4	0 ... 12	0 ... 174	0,70	24	3,8	PA	NBR	09-3111-01430+AQF
	3/2 NC	1,6	0 ... 10	0 ... 145	0,80	24	3,8	PA	NBR	09-3111-03-30+AQF
	3/2 NC	1,8	0 ... 8	0 ... 116	1,00	24	3,8	PA	NBR	09-3111-01830+AQF
	3/2 NO	1,2	0 ... 10	0 ... 145	0,60	24	3,8	PA	NBR	09-3211-02-30+AQF
	3/2 NO	1,4	0 ... 7	0 ... 101	0,75	24	3,8	PA	NBR	09-3211-01430+AQF
	3/2 NO	1,8	0 ... 6	0 ... 87	0,85	24	3,8	PA	NBR	09-3211-01830+AQF
	3/2 NC	1,2	0 ... 8	0 ... 116	0,60	24	3,8	PA	NBR	09-3311-02-30+AQF
	3/2 NC	1,8	0 ... 4	0 ... 58	0,85	24	3,8	PA	NBR	09-3311-01830+AQF

*1) Cv - Value in [gal/min] = kv x 0.07

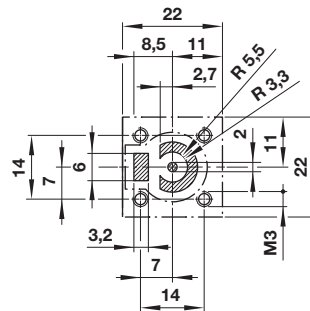
Accessories

<p>G1/8 ported mounting plate - 1 position for 3/2 ways valve</p>  <p>S090.3146</p>	<p>G1/8 ported mounting plate - 2 ... 8 positions</p>  <p>Available on request</p>	<p>22 mm Industrial standard 2-pole + PE</p>  <p>N060.1075</p>
--	---	--

Valve



Manifold fitting



Dimensions shown in mm
Projection/First angle



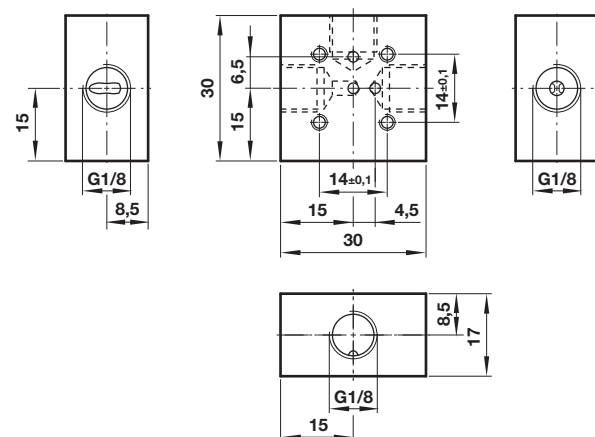
Port identification for

	Ports		
	1	2	3
2/2 NC	A	P	-
2/2 NO	P	-	A
3/2 NC	A	P	R
3/2 NO	A	R	P
3/2 UNI (SEL)	P	A ₁	A ₂
3/2 UNI (MIX)	A	P ₁	P ₂

P, P₁, P₂ = Inlet; A, A₁, A₂ = Outlet; R = Exhaust
Please refer to marking on the valve body for flow direction or port identification.

All solenoids are supplied with mounting screws and gasket.

Mounting plate



Warning

These products are intended for use in air, neutral gas and liquid systems only. Do not use these products where pressures and temperatures can exceed those listed under »**Technical features**«.

Before using these products with fluids other than those specified, for non-industrial applications, life-support systems, or other applications not within published specifications, consult IMI FAS.

Through misuse, age, or malfunction, components used in fluid power systems can fail in various modes.

The system designer is warned to consider the failure modes of all component parts used in fluid power systems and to provide adequate safeguards to prevent personal injury or damage to equipment in the event of such failure.

System designers must provide a warning to end users in the system instructional manual if protection against a failure mode cannot be adequately provided.