



### Generalities

Bacosol coils are mounted on an operator with a standard nut in order to constitute a valve.

The coil and the magnetic circuit are covered with synthetic material which can withstand high temperature, humidity and various mechanic solicitations.

### Notes

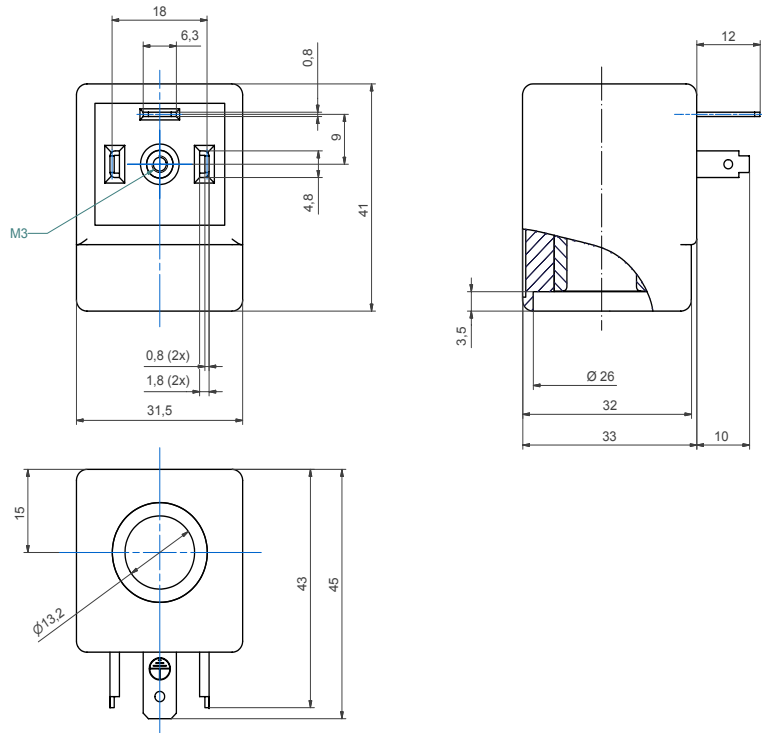
1. Custom voltage upon request.
2. The choice of a special coil can lead to some valve specification changes. Please contact us beforehand.
3. AC coils must be mounted on a complete operator before being powered.

### Technical data

Voltage	: 50Hz - 60Hz - DC
Power	: see table
Voltage tolerance	: -10%...+15%
Electrical connection	: DIN 43650 spades 2-poles and ground
Connector	: adjustable, 4x90° position with one central M3 screw
Coil position	: 360° in any position
Coil fixing	: G1/4' nut
Wire insulation class	: H 180
Protection degree	: IP 65 - DIN 40050 (with mounted connector)
Duty cycle	: 100% ED
Working temperature	: -20°C...+150°C
Max. coil temperature at 100% ED	: 70°C at an ambient temps. of 20° (8W)
Coil weight	: around 100g

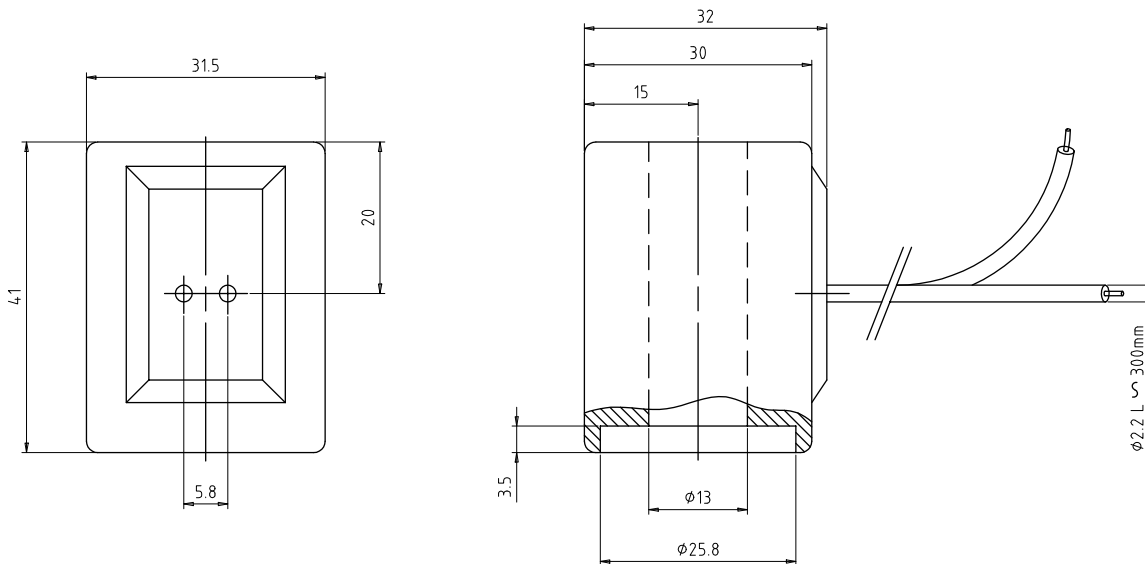
### Order number - Standard power

FREQUENCY	VOLTAGE								POWER	
	6	12	24	48	110	220	240	380	AC	DC
50 Hz		200	201	202	203	204	215	205	8.0 W	10.0W
60Hz		206	207	221	208	209				
DC	210	211	212	213	214	228				



K042.1032a

**Coil with spades**



**Coil with wire**